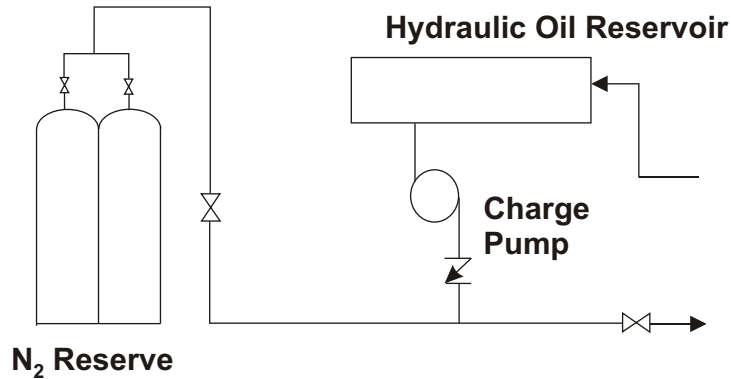


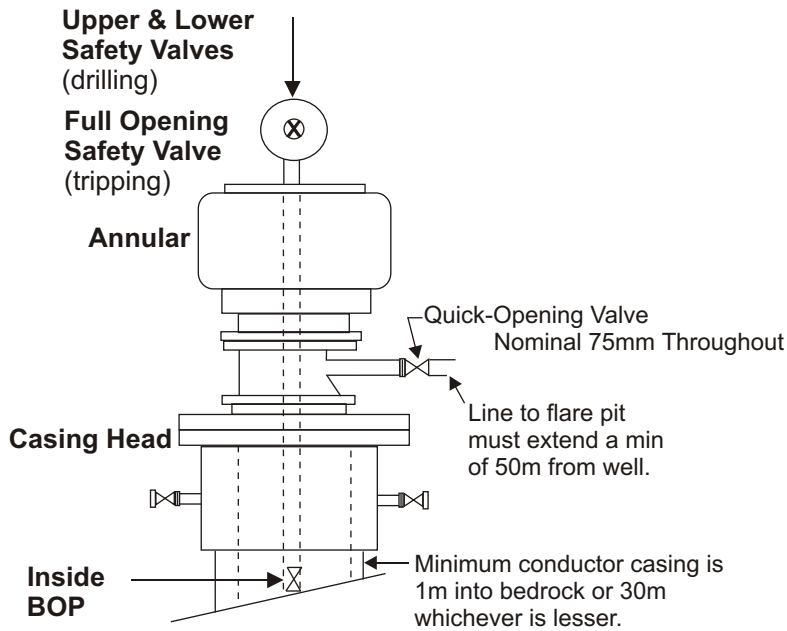
# Drilling Blowout Prevention Systems

## Class I

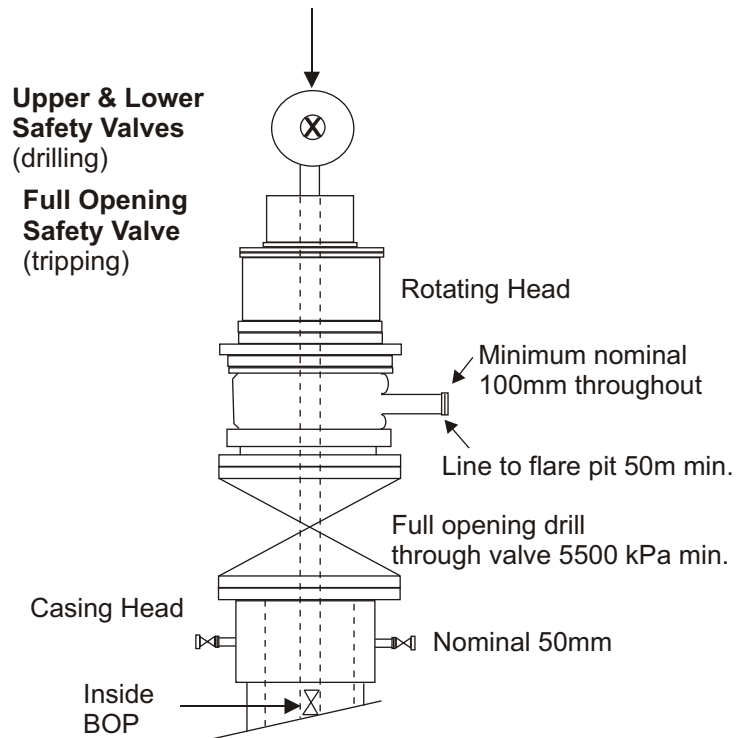
*(No Surface Casing Set < 500m)*



### HYDRAULIC CONTROL SYSTEM



### BLOWOUT PREVENTION STACK For Mud Drilling



### BLOWOUT PREVENTION STACK For Air Drilling

*(See PDR Section 74)*